

PSA Oxygen Generator

AS-G



AirSep Alpha-Series Oxygen Generators produce from 20 to 5,000 cubic feet of oxygen per hour at up to 95.5% oxygen concentration. When electricity and a source of compressed air is supplied, these dependable machines can provide oxygen for any application.

Features

- Produces oxygen from an independent compressed air source
- Microprocessor controlled
- Low operating cost
- Automatic and unattended operation
- Easy to install and maintain
- Optional NEMA 4 Touchscreen control panel with integrated oxygen concentration monitor

Typical Applications

Manufacturing

- Cutting/Brazing/Soldering
- Thermal/Chemical Oxidation

Medical

- Hospital Systems

Environmental

- Ozone (Generator) Feed Gas
- Environmental Remediation
- Waste/Water Treatment

Glass Industry

- Glass Work/Manufacturing/Blowing

Additional

- Fish Farming

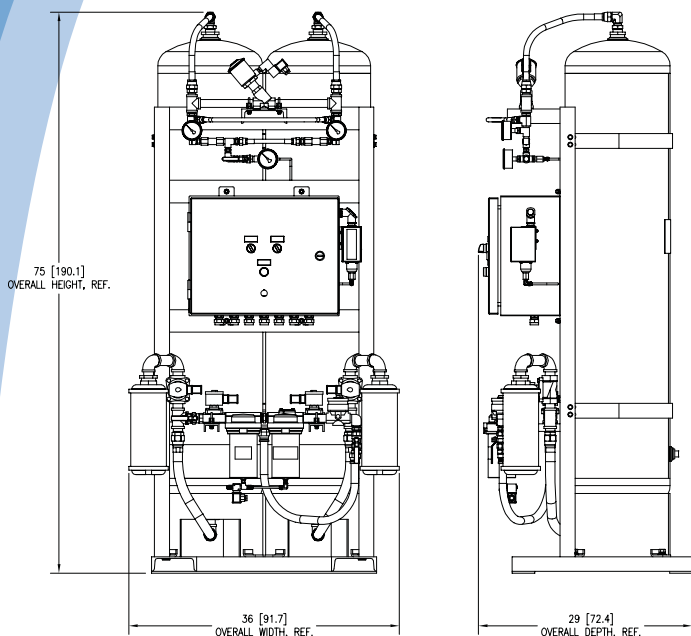
Specifications

AS-G

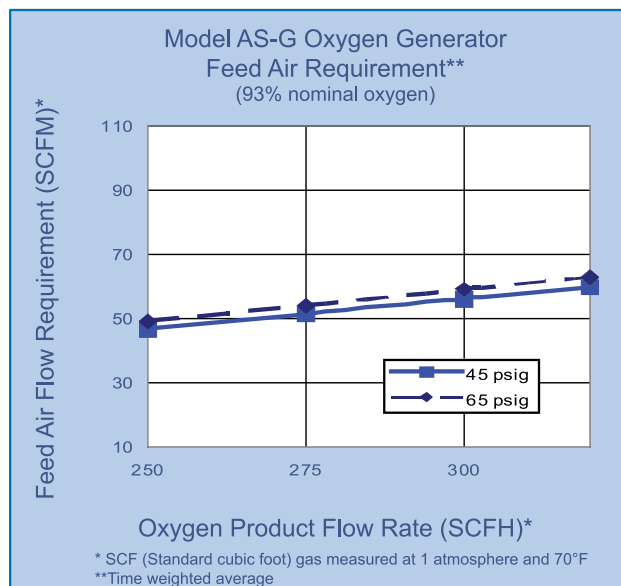
Product Characteristics	
Product Flow	250 - 320 SCFH (6.57 - 8.41 Nm ³ /hr) ¹
Product Pressure	45-65 psig (310-448 kPa) ¹
Product Concentration (nominal)	93%
Product Dew Point	-100°F (-73°C)
Dimensions (W x D x H) (nominal)	36 x 29 x 75 in (91 x 74 x 191 cm)
Weight	956 lb (434 kg)
Physical Connections ²	
Compressed Air Inlet	¾" FNPT
Product Gas Outlet	¾" FNPT
Ambient Operating Conditions	Locate the oxygen generator in a well-ventilated area that is protected from weather elements and remains between 40°F (4°C) and 104°F (40°C)
Feed Air Requirements	Flow Rate: <i>Refer to chart on reverse page.</i> Clean and Dry "Plant Air" (Class 5.6.5 per ISO 8573.1) Pressure: 90 psig (621 kPa) minimum Temperature: 122°F (50°C) maximum
Control Power Requirements (Single Phase)	120 V ~ ±10%, 50/60 Hz, 3.0 A or 240 V ~ ±10%, 50/60 Hz, 1.0 A
120 Gallon Oxygen Receiver Characteristics	
Dimensions (Dia. x H)	24 x 79 in (61 x 199 cm)
Weight	282 lb (128 kg)

¹ SCF (Standard cubic foot) gas measured at 1 atmosphere and 70°F / Nm³ (Normal cubic meter) gas measured at 1 atmosphere and 0°C

² Hose and applicable adapters included with optional factory supplied accessory kits.



Note: All dimensions are nominal.



Ordering Information

Model	Part Number	Description
AS-G	AS104-1	120 V ~ ±10%, 50/60 Hz ¹
	AS104-2	240 V ~ ±10%, 50/60 Hz ¹
	AS104-3	With NEMA 4 Pressure Switch, 120 V ~ ±10%, 50/60 Hz ¹
	AS104-4	With NEMA 4 Pressure Switch, 240 V ~ ±10%, 50/60 Hz ¹
	AS104-7	With HMI NEMA 4 Touchscreen and oxygen concentration monitor, 120 V ~ ±10%, 50/60 Hz ¹
	AS104-8	With HMI NEMA 4 Touchscreen and oxygen concentration monitor, 240 V ~ ±10%, 50/60 Hz ¹
	AS104-9	With CE Approved Vessels, 240 V ~ ±10%, 50/60 Hz ¹
	AS104-10	With NEMA 4 Pressure Switch/ Local Remote ON/OFF, 120 V ~ ±10%, 50/60 Hz ¹
	AS104-11	With NEMA 4 Pressure Switch/ Local Remote ON/OFF, 240 V ~ ±10%, 50/60 Hz ¹
	AS104-12	With oxygen concentration monitor (LED indicator), 120 V ~ ±10%, 50/60 Hz ¹
	AS104-13	With oxygen concentration monitor (LED indicator), 240 V ~ ±10%, 50/60 Hz ¹
	AS104-16	With China Approved Vessels, 240 V ~ ±10%, 50/60 Hz ¹
	Accessories	TA151-1
KI413-1		Accessory Kit (interconnecting hoses/fittings and oxygen regulator)
KI413-3		Accessory Kit (HMI, interconnecting hoses/fittings, isolation valves with oxygen regulator and oxygen filter)
KI476-1		Accessory Kit (oxygen hose - oxygen regulator to use point)
	KI404-3	Accessory Kit (mini manifold)

Shipping Information	AS-G	120 Gallon Oxygen Receiver
Class	92.5	70
Commodity Classification Number	8421.39.8040	7311.00.0000
Dimensions (W x D x H)	34 x 41 x 83 in (86 x 104 x 211 cm) with Accessory Kit(s) 34 x 41 x 85 in (86 x 104 x 216 cm) with Accessory Kit(s), Crated 41 x 86 x 38 in (104 x 218 x 97 cm) Horizontal 34 x 41 x 85 in (86 x 104 x 216 cm) with Accessory Kit(s) and CE Beds, Crated	40 x 48 x 85 in (102 x 122 x 216 cm)
Gross Weight	996 lb (452 kg) with Accessory Kit(s) 1,159 lb (526 kg) with Accessory Kit(s), Crated 1,303 lb (591 kg) Horizontal 1,205 lb (547 kg) with Accessory Kit(s) and CE Beds, Crated	356 lb (161 kg)

Warranty: 1 Year Parts and Factory Labor***

*** An unprotected or inadequately ventilated environment, or improper control power may cause damage to the oxygen generator not covered under warranty.

¹ Specify oxygen flow and pressure at time of order.

All performance ratings based on an ambient temperature up to 100°F (38°C), up to 1,000 feet elevation, and 80% relative humidity.

Copyright (C) 2013 Chart Industries

CAIRE Inc./Chart SeQual Technologies Inc./Chart Inc./AirSep Corp. reserves the right to discontinue its products, or change the prices, materials, equipment, quality, descriptions, specifications and/or processes to its products at any time without prior notice and with no further obligation or consequence. All rights not expressly stated herein are reserved by us, as applicable.